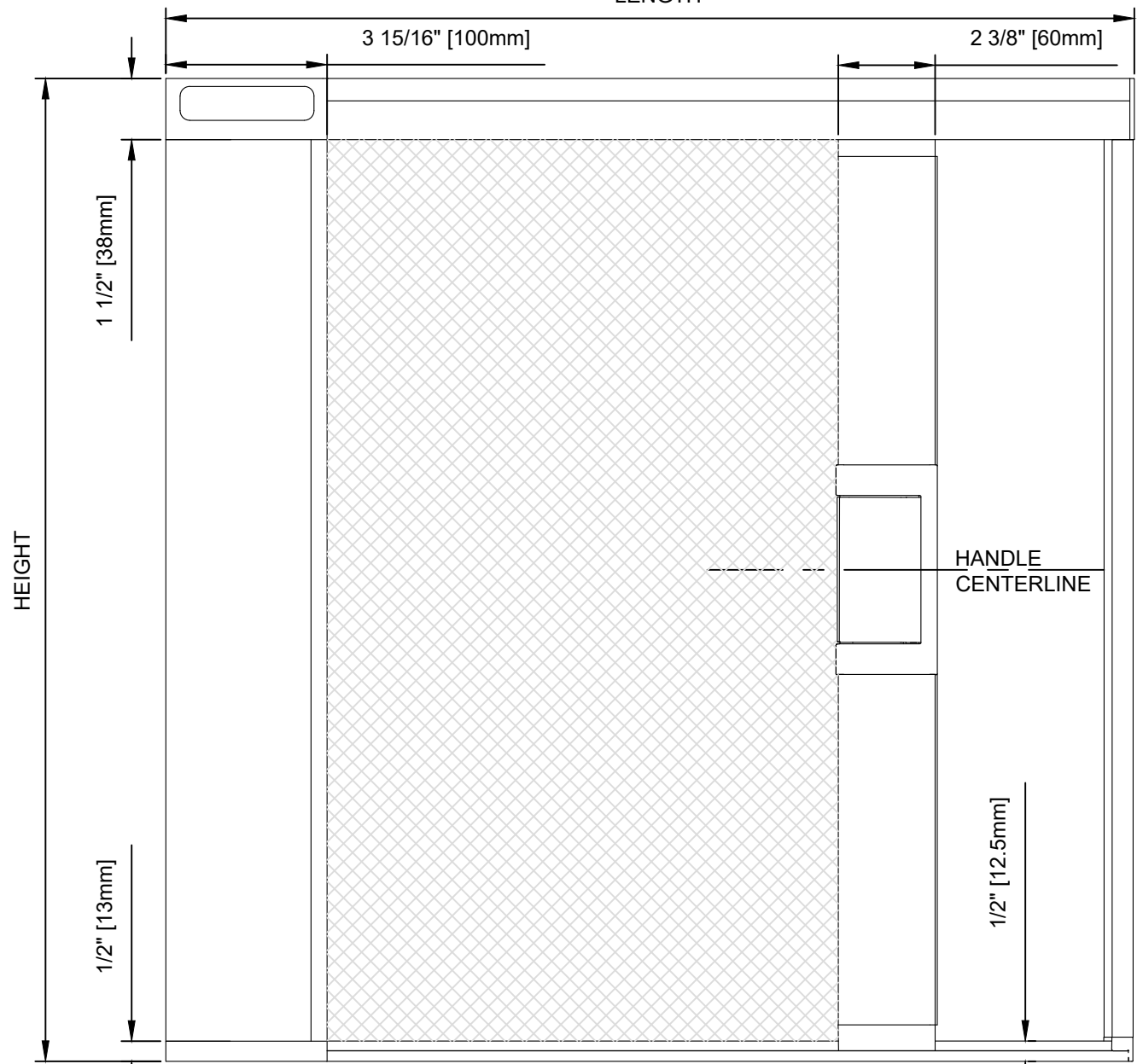
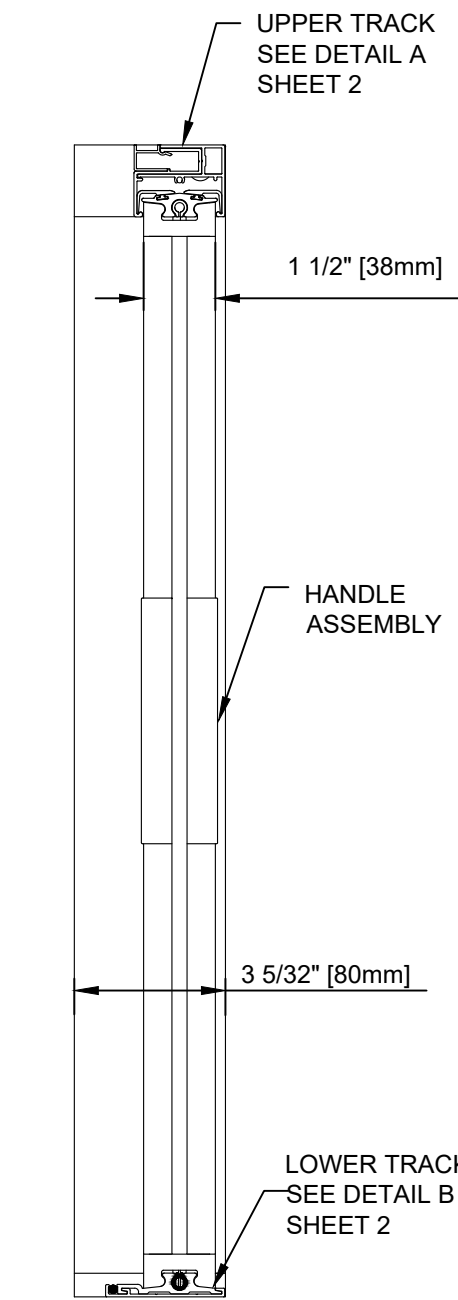


SECTION VIEW

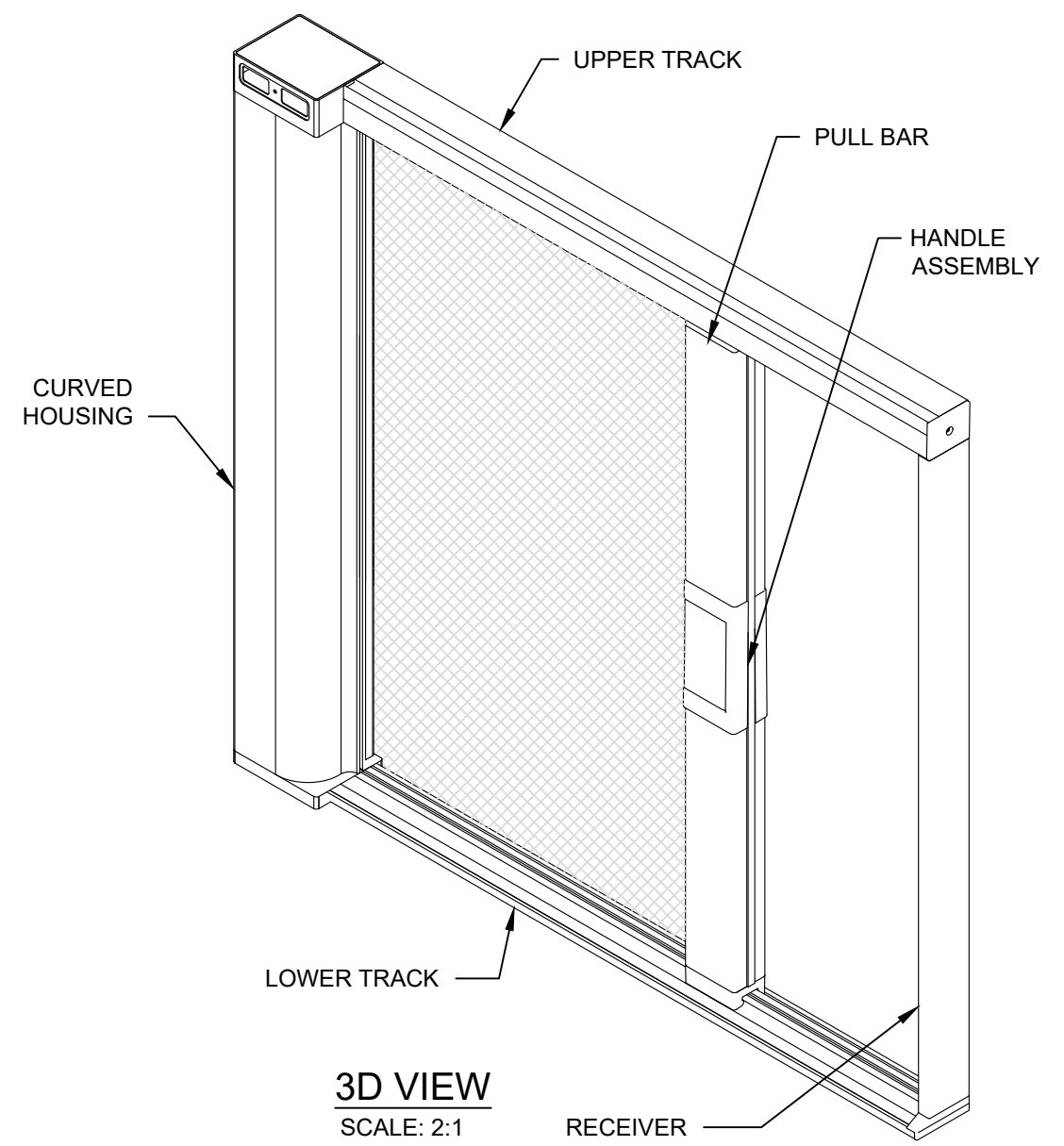
LENGTH



FRONT ELEVATION

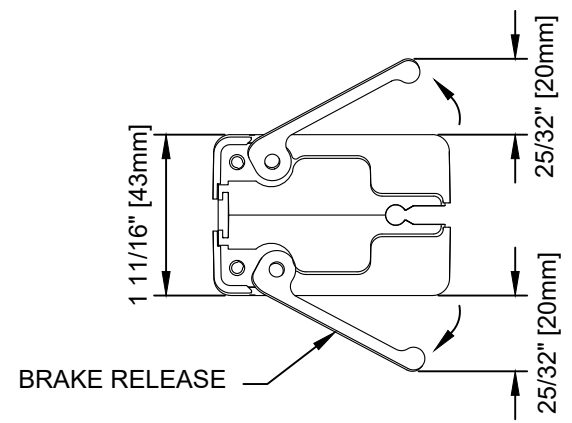


SECTION VIEW



3D VIEW

SCALE: 2:1



HANDLE ASSEMBLY - EXTENDED

SCALE: 6"=1'0"



WIZARD INDUSTRIES INC.
 4263 PHILLIPS AVENUE
 BURNABY, BC
 V5A 2X4

THE HORIZON
 80mm ASSEMBLY

SCALE:
AS SHOWN
 DATE:
MAY 1 2019
 DWG:
HOR - 020