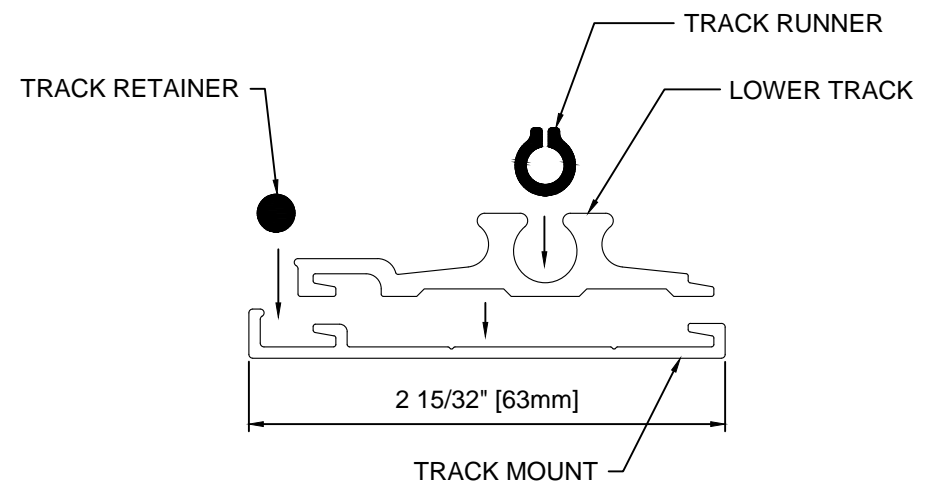
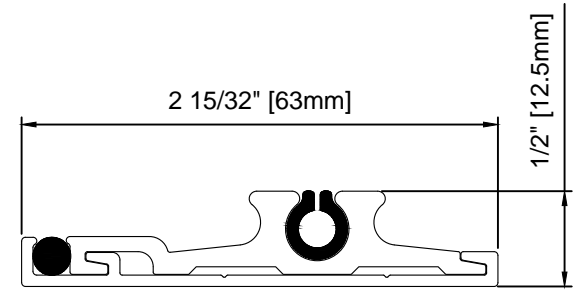
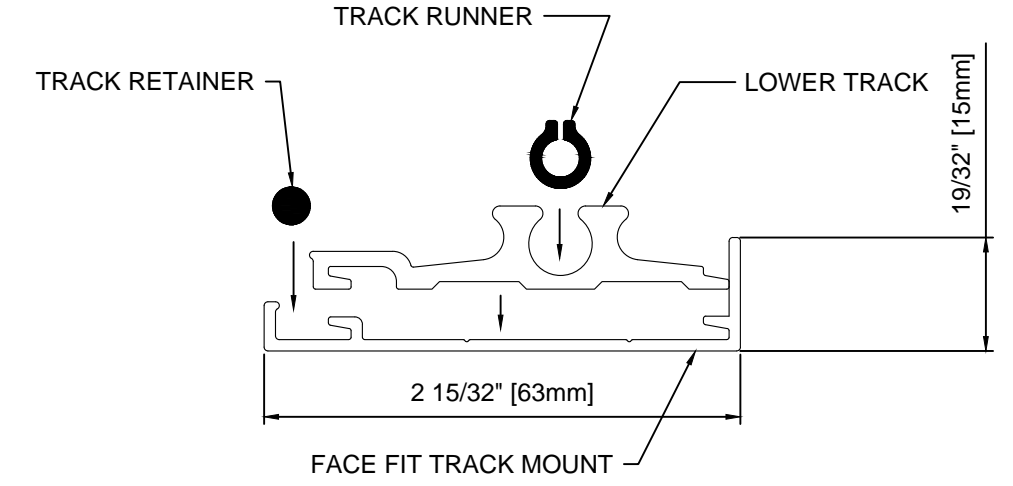
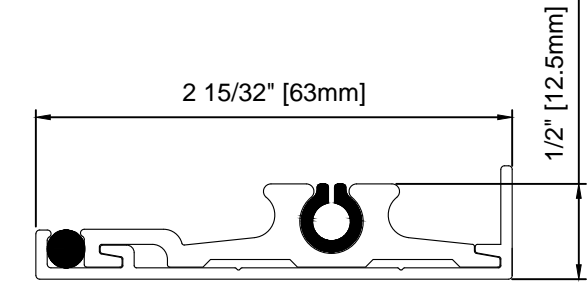


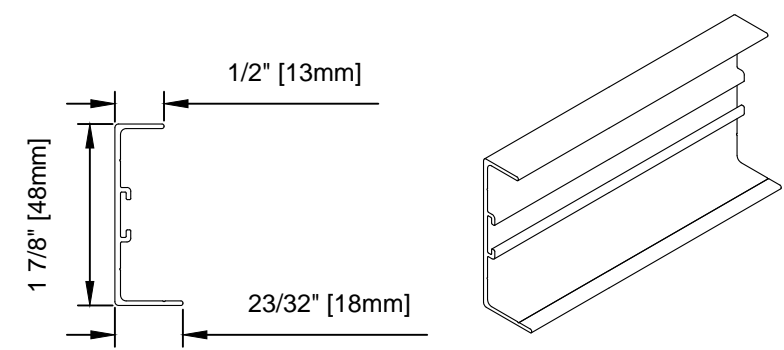
DETAIL A - UPPER TRACK
SCALE: 1'0" = 1'0"



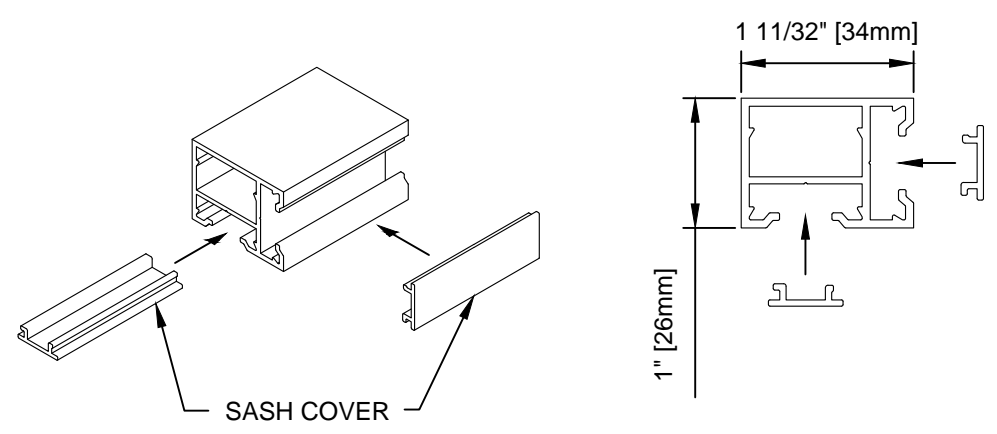
DETAIL B - LOWER TRACK
SCALE: 1'0" = 1'0"



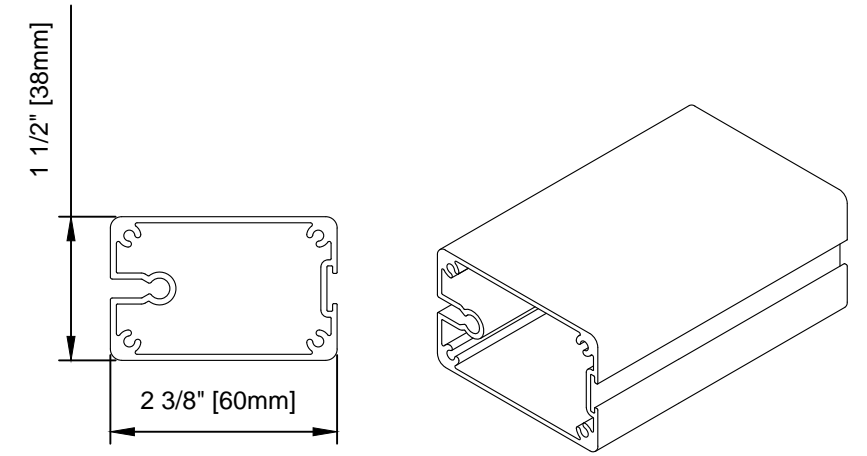
FACE FIT TRACK MOUNT- OPTIONAL
SCALE: 1'0" = 1'0"



RECEIVER
SCALE: 6"=1'0"



BOX CHANNEL - OPTIONAL
SCALE: 8"=1'0"



PULL BAR
SCALE: 6"=1'0"



WIZARD INDUSTRIES INC.
4263 PHILLIPS AVENUE
BURNABY, BC
V5A 2X4

THE HORIZON

SCALE:
AS SHOWN
DATE:
OCT. 11 2017
DWG:
HOR-001