

*A View Towards Excellence*

# **Horizon 80mm and 100mm**

## **Measuring**

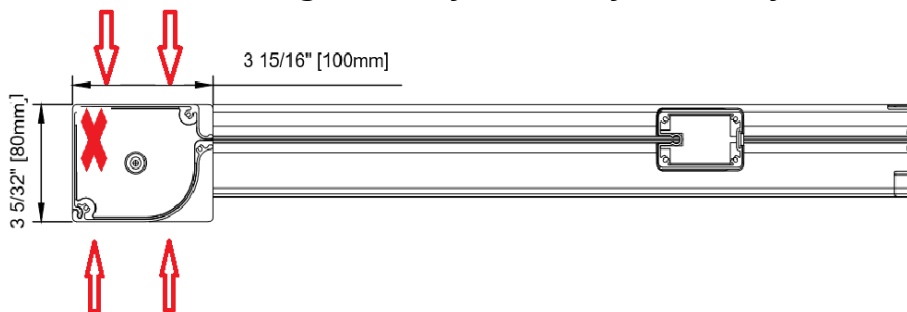


## 80mm Horizon and 100mm Horizon

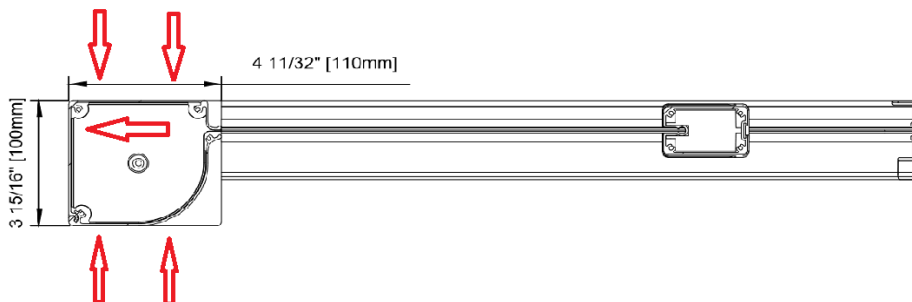
These instructions cover both the Horizon systems, the 80mm (3 1/8") and the 100mm (4") housings

- 1) Please read before going to site to measure
- 2) Bookmark the installation instructions, or print a copy to take with you on the install – [www.wizardscreens.com/technical](http://www.wizardscreens.com/technical)
- 3) Call to schedule a training session on installations before going to site
- 4) When installing, if you have questions, call us before leaving the site
- 5) The housings and components can be concealed with removable panels after you have completed the installation.
- 6) The 100mm Horizon housing can be fastened from the front, back or inside profile, the 80mm Horizon housing can be fastened from the front or back

### 80mm housing can be fastened from the front or back

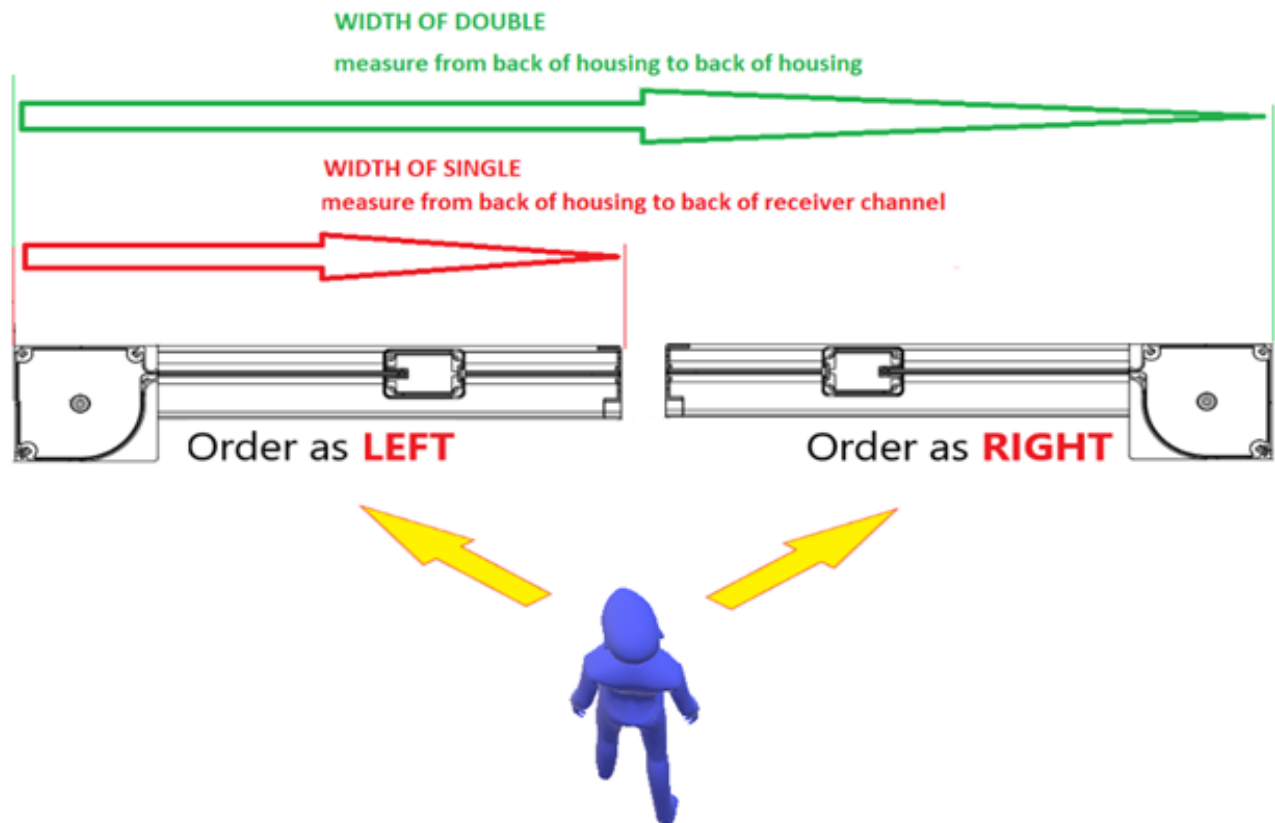


### 100mm housing can be fastened from the front, back or side



## Measuring Guide

*"Position(s) and Width"*



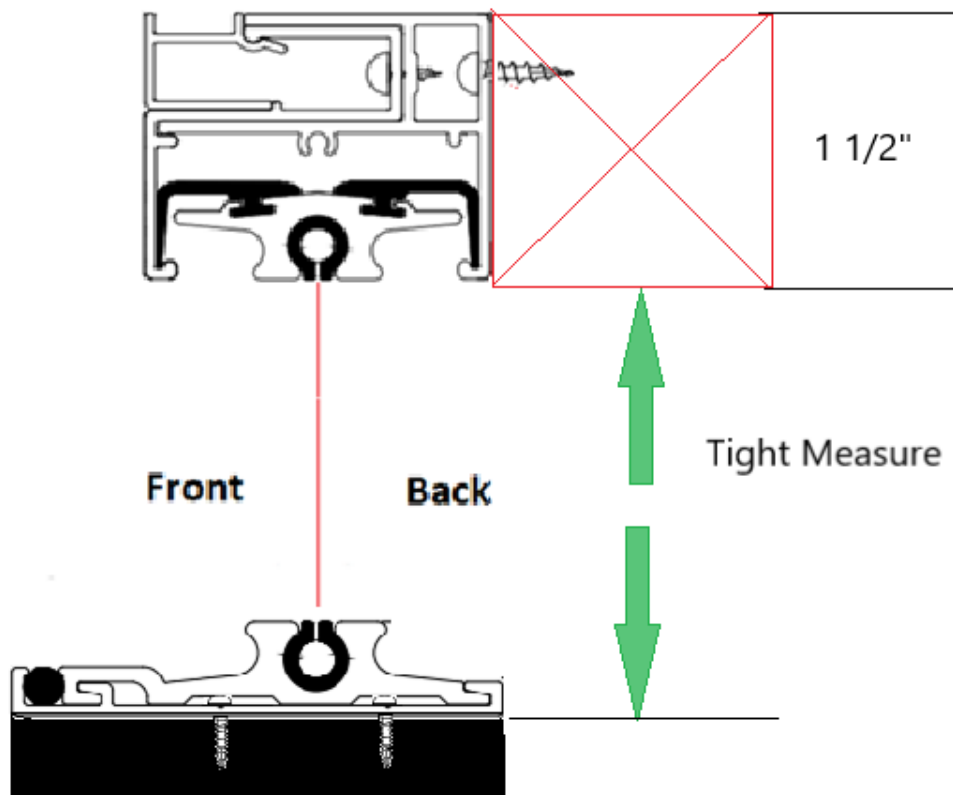
***Always order sides as looking at the front of the screens.***

## Measuring Height – Upper Track on the surface

### Measuring the Height

Measure the opening in at least 4 points across the opening to find your tightest measure

*Upper track mounted on the upper surface - take your tight measure and add 1 ½"*



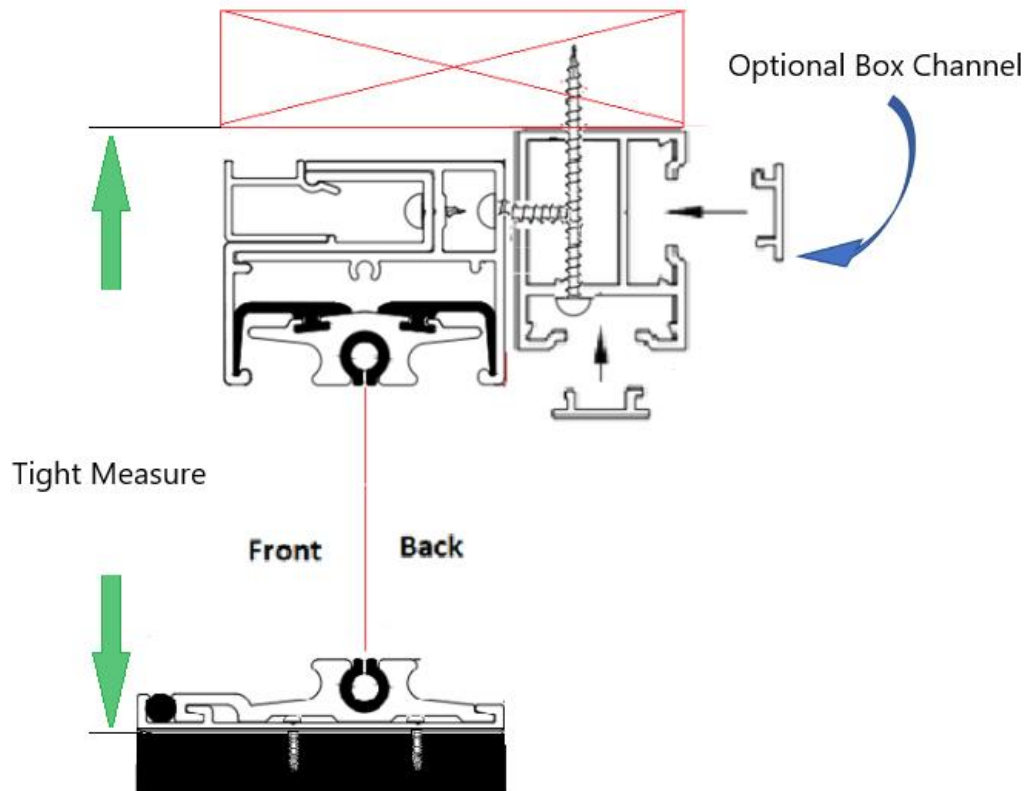
Upper track on the face or surface

***Tight measure + 1 ½" = order height***

## Measuring Height – Upper Track under a header/beam

Measure the opening in at least 4 points across the opening to find your tightest measure

*Upper track mounted under the header - take your tight measure and deduct ½"*



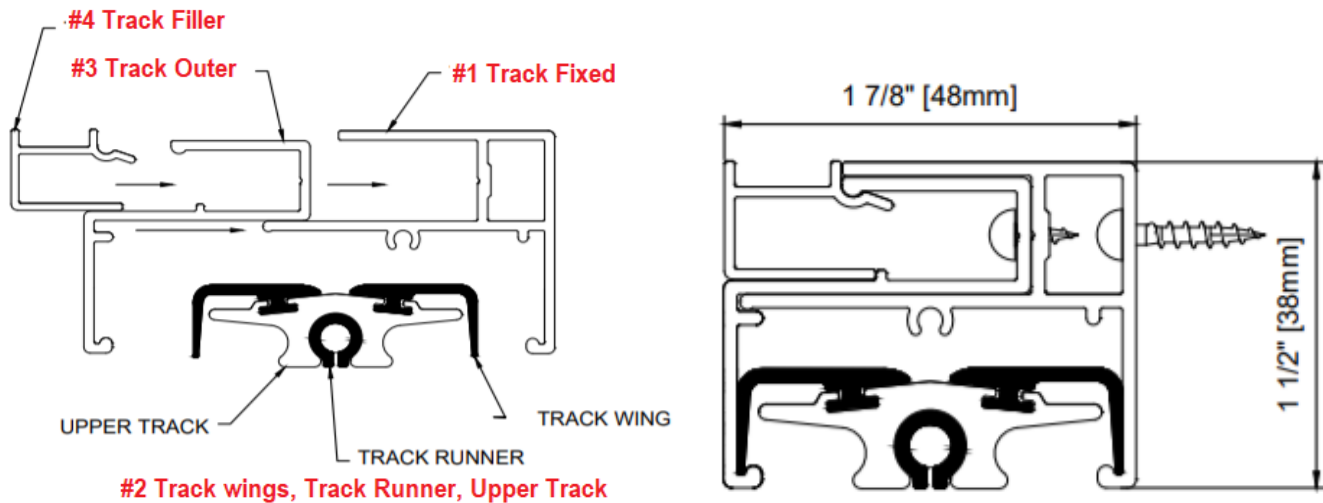
Upper track under a header

***Tight measure - ½" = order height***

## Measuring Guide – Track Components – Upper and Lower

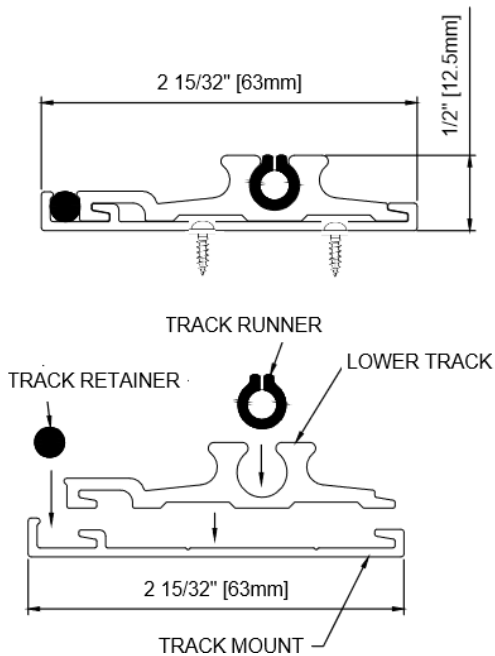
The Upper Track is fastened HORIZONTIALLY and is mounted in the sequence below

### Upper Track

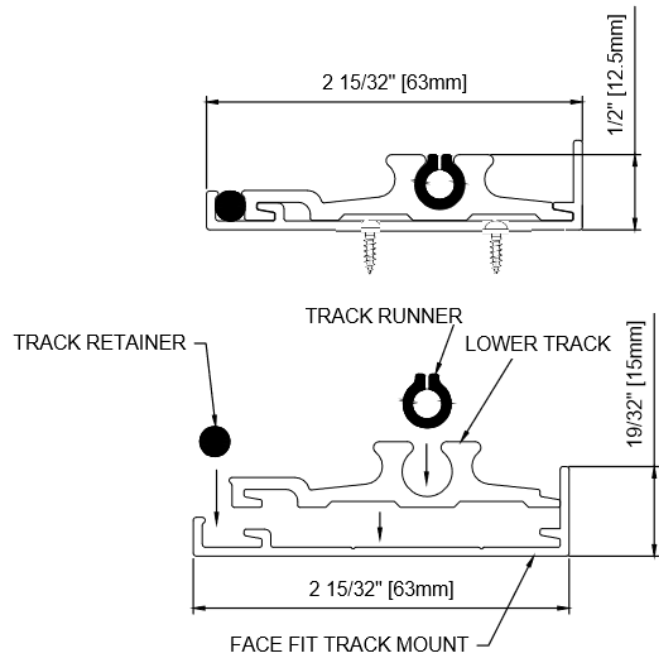


### Lower track

#### Standard Lower Track Mount



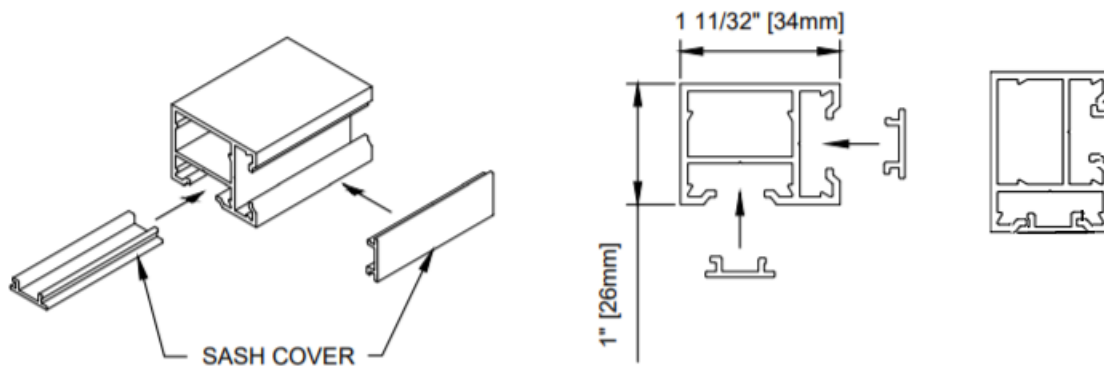
#### Optional Face Fit Track Mount



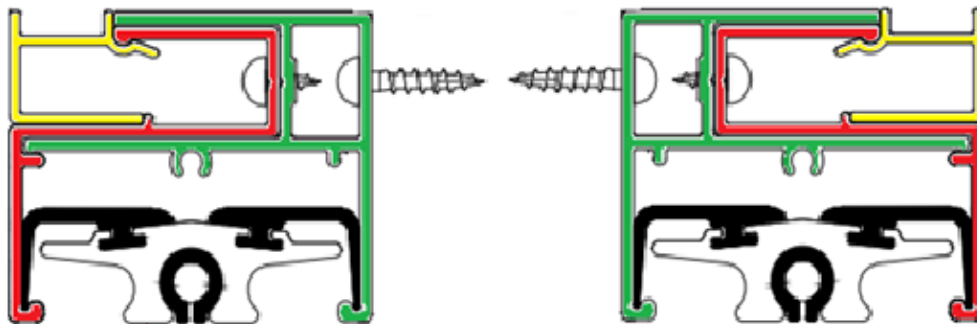
## Measuring Guide – Box Channel

### Optional Box Channel

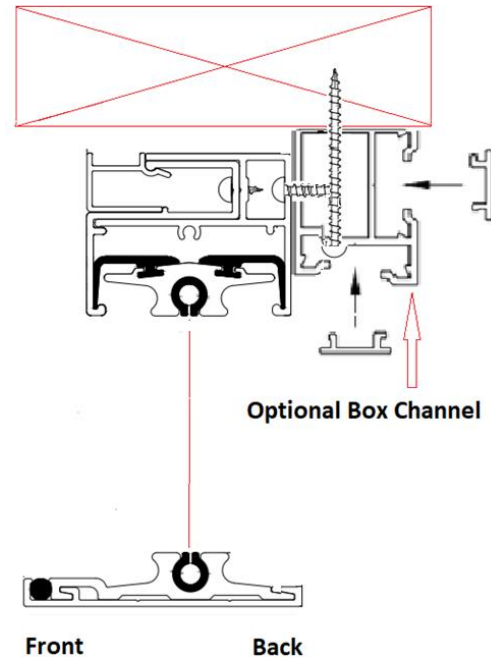
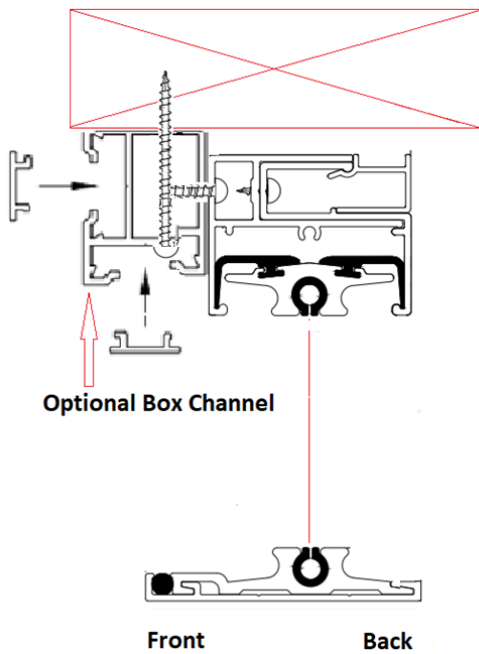
*Upper Tracks Fasten HORIZONTIALLY, Box Channel is recommended for all installations where you need to install a mounting surface ex. under a header*



Top track can be turned 180° end to end as required for installation



*Measuring Guide – Top Track can be turned 180°*



*Weep holes*

***IMPORTANT NOTE: For exterior applications that are installed in unprotected areas please note that lower track and track mount are not weather proof. Water Egress is the responsibility of the general contractor or builder.***

*To provide weep holes in the lower track mount when installing above grade, place and cut the lower track mount to the correct size, align correctly and pre-drill the holes into the floor, then cut the lower track mount into sections and install.*

